

Art. "Y" - SHUTTER ANGLE VALVE FOR LOW PRESSURE

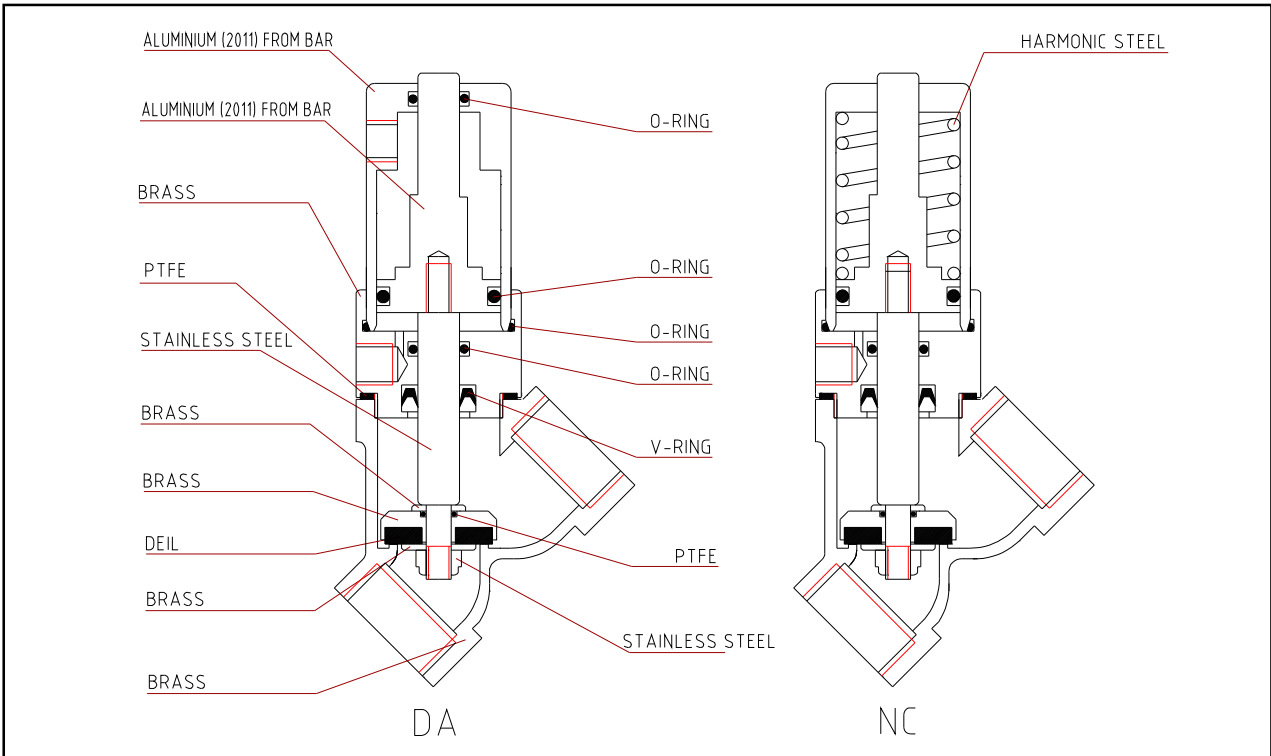
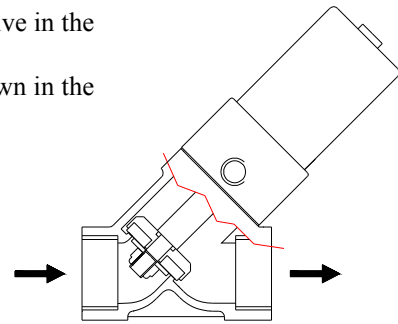


DESCRIPTION
 Valve with flat shutter closing.
 SEAL: NBR - FPM - EPDM.
 Perfect airtight even with high operating frequencies.
 Actuator with reciprocating piston movement.
 Connections with inner GAS ISO 228 thread female-female.
 On request with NPT connections.
 Control air 1/8" GAS connections.
ALLOWABLE TEMPERATURES
 Operating temperature:
 Seal in NBR: from -30°C to +100°C
 Seal in FPM: from -15°C to +100°C
 Seal in EPDM: from -40°C to +100°C
ACTUATOR PILOT PRESSURE: Max 8 bar.
VERSIONS AND SIZES
 DA: 1/2" - 3/4" - 1" - 1"1/4 - 1"1/2 - 2"
 SANC: 1/2" - 3/4" - 1" - 1"1/4 - 1"1/2 - 2"
ANODIZING TREATMENT ON OUTSIDE DETAILS
MADE IN ALUMINIUM

It is **not subject** to the "Water Hammer" if the fluid pass through the valve in the direction of the arrow printed on the body (under the actuator).
 With these conditions the tightness is guaranteed up to the pressures shown in the Differential Pressure Chart.

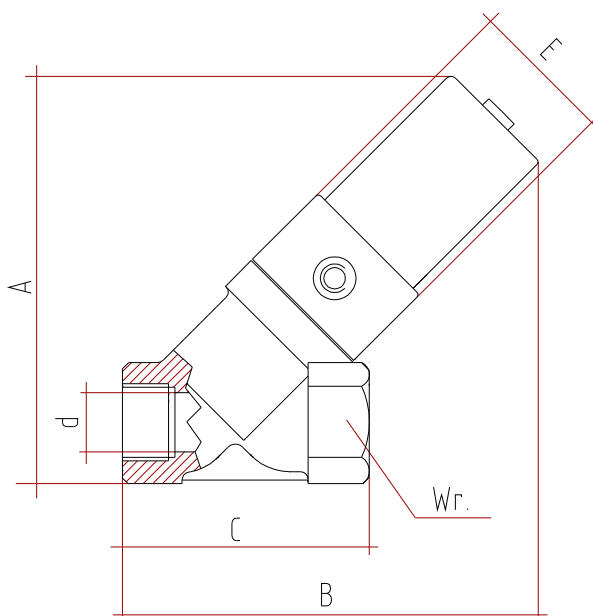
MINIMUM PRESSURE REQUIRED TO OPEN NC VERSION

| | | | | | | |
|-----|------|------|-----|-------|-------|-----|
| G | 1/2" | 3/4" | 1" | 1"1/4 | 1"1/2 | 2" |
| Bar | 6 | 6 | 5.5 | 5.5 | 5.5 | 5.5 |



Art. "Y"

| DIFFERENTIAL PRESSURE CHART | | | | |
|-----------------------------|---------------|-------|-----------------|---------------|
| NC | | DA | | |
| G | DeltaP bar | G | PILOT PRESS. | DeltaP bar |
| 1/2" | 4 | 1/2" | 4 | 9.5 |
| 3/4" | 3 | 1/2" | 5 | 12 |
| 1" | 3 | 3/4" | 4 | 4.5 |
| 1"1/4 | 3 | 3/4" | 5 | 6 |
| 1"1/2 | 3 | 1" | 4 | 4.5 |
| 2" | 1.5 | 1" | 5 | 5.5 |
| | | 1"1/4 | 4 | 4 |
| | | 1"1/4 | 5 | 5 |
| | | 1"1/2 | 4 | 4 |
| | | 1"1/2 | 5 | 5 |
| | | 2" | 4 | 2 |
| | | 2" | 5 | 2.5 |



OVERALL DIMENSIONS

| DN | G | A | B | C | d | E | Wrench | Kv | Weight |
|-----|-------|-----|-----|-----|-----|-----|--------|-------------------|--------|
| mm. | | mm. | mm. | mm. | mm. | mm. | mm. | m ³ /h | gr. |
| 15 | 1/2" | 93 | 107 | 59 | 16 | 40 | 27 | 4.5 | 500 |
| 20 | 3/4" | 99 | 118 | 70 | 22 | 40 | 33 | 11 | 650 |
| 25 | 1" | 102 | 121 | 74 | 27 | 40 | 38 | 13 | 680 |
| 32 | 1"1/4 | 127 | 156 | 95 | 32 | 52 | 49 | 30 | 1200 |
| 40 | 1"1/2 | 157 | 185 | 108 | 40 | 58 | 56 | 42 | 1800 |
| 50 | 2" | 171 | 205 | 129 | 50 | 70 | 69 | 66 | 2400 |