

Art. "F" - BRASS BALL VALVE

DESCRIPTION

Ball valve with rotary pneumatic actuator.

Valve body: brass OT 58 nickel plated.

Ball: brass OT 58 heavy duty chromium plated.

Ball gasket: Virgin PTFE.

TECHNICAL FEATURES
Allowable temperatures:

For liquid: from - 20°C up to + 130°C (with peaks of 150°C).

For gas: from - 20°C up to + 60°C.

Maximum temperatures for special uses (valve all open)

+100°C - fuel oils, mineral oils, margarine;

+ 90°C - seawater, drinking water (municipal water system);

+ 60°C - trichloroethylene, butane, methane, propane, carbon dioxide;

+ 40°C - inflammable alcohol, gasoline, illuminating gas, natural gas, limewater, soda water.

PRESSURE/TEMPERATURE LIMITS' DIAGRAM

For any pressure level there is the corresponding allowable temperature level.

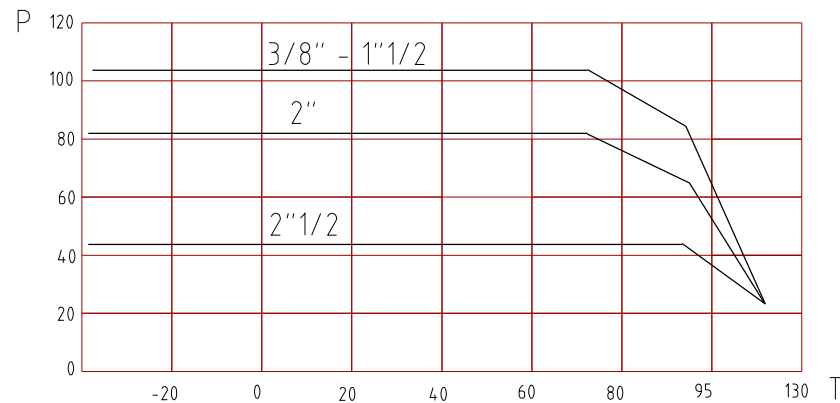


Diagram made with the following analysis:

Inside seats and seal: hydraulic-test of recirculation water-glycol at 50%, water hammer 1.1 PN e n° of cycles following UNI EN3828 - EN331.

Outside body and seal: hydraulic-test static 1.5 PN.

Limits of pressure: for liquids from 100 bar up to 40 bar.
for gas PN 5.

ACTUATOR PILOT PRESSURE

Double acting versions: from 3 to 8 bar.

Single acting versions: from 6 to 8 bar.

Connections with inner GAS ISO 228 thread female-female.

On request with inner NPT connections.

Control air 1/8" GAS connections.

VERSIONS AND SIZES

DA: 3/8" - 1/2" - 3/4" - 1" - 1" 1/4 - 1" 1/2 - 2" - 2" 1/2

SANC: 3/8" - 1/2" - 3/4" - 1" - 1" 1/4 - 1" 1/2 - 2"

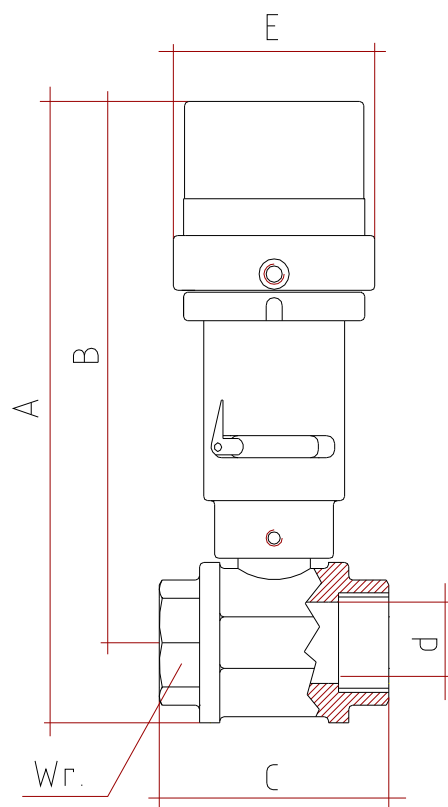
SANO: 3/8" - 1/2" - 3/4" - 1" - 1" 1/4 - 1" 1/2 - 2"

ANODIZING TREATMENT ON OUTSIDE DETAILS

MADE IN ALUMINIUM.

Art. "F" -

OVERALL DIMENSIONS



DOUBLE ACTING

DN	G	ACTUATOR	A	B	C	d	E	Wrench	Kv	Weight
mm.		type	mm.	mm.	mm.	mm.	mm.	mm.	m3/h	gr.
10	3/8"	DE5002	207	193	54	10	65	22	11	1080
15	1/2"	DE5002	213	195	69	15	65	27	20	1220
20	3/4"	DE6302	241	218	77	20	77	33	60	1640
25	1"	DE6302	250	223	89	25	77	40	100	1900
32	1"1/4	DE8003	294	261	103	32	100	50	130	3420
40	1"1/2	DE8003	307	267	114	40	100	55	170	4120
50	2"	DE8003	327	279	134	50	100	70	280	5480
65	2"1/2	DE1004	358	298	147	65	120	86	510	8400

SINGLE ACTING (NC - NO)

DN	G	ACTUATOR	A	B	C	d	E	Wrench	Kv	Weight
mm.		type	mm.	mm.	mm.	mm.	mm.	mm.	m3/h	gr.
10	3/8"	SE5002	207	193	54	10	65	22	11	1160
15	1/2"	SE5002	213	195	69	15	65	27	20	1280
20	3/4"	SE6302	241	218	77	20	77	33	60	1800
25	1"	SE6302	250	223	89	25	77	40	100	2040
32	1"1/4	SE8003	294	261	103	32	100	50	130	3620
40	1"1/2	SE8003	307	267	114	40	100	55	170	4340
50	2"	SE1004	359	310	134	50	120	70	280	7320

Art. "F" - BRASS BALL VALVE - LIGHT MODEL



DESCRIPTION

Ball valve with rotary actuator.
Valve body: brass.
Ball: brass heavy duty chromium plated.
Ball gasket: Virgin PTFE.

ALLOWABLE TEMPERATURES

Operating temperature: from -15°C to +100°C.
Max operating temperature for special uses (valve all open):
+100°C - fuel oils, mineral oils, margarine;
+ 90°C - seawater, drinking water (municipal water system);
+ 60°C - trichloroethylene, butane, methane, propane, carbon dioxide;
+ 40°C - inflammable alcohol, gasoline, illuminating gas, natural gas, limewater, soda water.

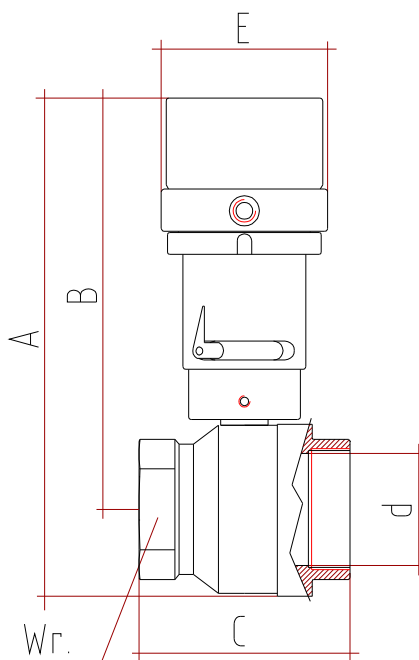
ACTUATOR PILOT PRESSURE

From 3 to 8 bar.
Connections with inner GAS ISO 228 thread female-female.
On request with inner NPT connections.
Control air 1/8" GAS connections.

VERSIONS AND SIZES

DA: 3" - 4"

ANODIZING TREATMENT ON OUTSIDE DETAILS
MADE IN ALUMINIUM



OVERALL DIMENSIONS

DOUBLE ACTING

DN	G	ACTUATOR	A	B	C	d	E	Wrench	Kv	Weight
mm.		type	mm.	mm.	mm.	mm.	mm.	mm.	m ³ /h	gr.
80	3"	DE1004	355	293	151	75	120	94	770	6900
100	4"	DE1155	433	358	180	90	134	120	1200	11400