

Art. "FHP" - BRASS BALL VALVE FOR HIGH PRESSURE



DESCRIPTION

Ball valve with rotary actuator.
It has been conceived for high pressure and thus derived from a single piece of great strength, it has self-wrapping gaskets which guarantee a higher number of cycles.

Valve body: brass nickel plated.

Ball: brass heavy duty chromium plated.

Ball gasket: DELRIN 500 AF.

ALLOWABLE TEMPERATURE

Operating temperature: from -20°C to +80°C.

ACTUATOR PILOT PRESSURE

From 3 to 8 bar.

Connections with inner GAS UNI ISO 7/1 RP thread female-female.

Control air 1/8" GAS connections.

VERSION AND SIZES

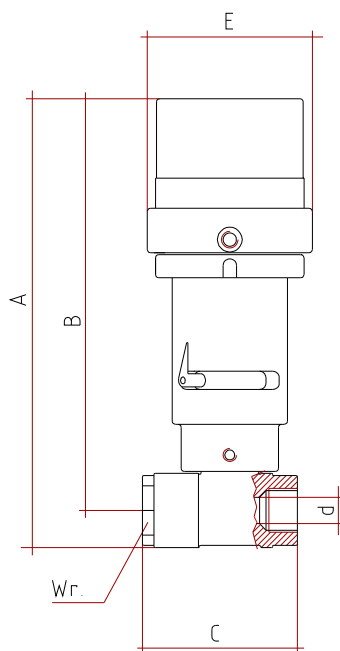
DA: 3/8" - 1/2" - 3/4" - 1"

ANODIZING TREATMENT ON OUTSIDE DETAILS

MADE IN ALUMINIUM.

RATED PRESSURE "PN"

G	3/8"	1/2"	3/4"	1"
PN	210	210	210	210



OVERALL DIMENSIONS

DOUBLE ACTING

DN	G	ACTUATOR	A	B	C	d	E	Wrench	Kv	Weight
mm.		type	mm.	mm.	mm.	mm.	mm.	mm.	m ³ /h	gr.
10	3/8"	DE5002	205	190	75	8	65	26	4.2	1300
15	1/2"	DE6302	225	207	85	12	77	32	9.4	1600
20	3/4"	DE8003	267	245	95	16	100	39	16.2	3100
25	1"	DE8003	275	249	105	20	100	48	27.7	3450