

Art. "F" - BRASS BALL VALVE - LIGHT MODEL



**DESCRIPTION**

Ball valve with rotary actuator.  
Valve body: brass.  
Ball: brass heavy duty chromium plated.  
Ball gasket: Virgin PTFE.

**ALLOWABLE TEMPERATURES**

Operating temperature: from -15°C to +100°C.  
Max operating temperature for special uses (valve all open):  
+100°C - fuel oils, mineral oils, margarine;  
+ 90°C - seawater, drinking water (municipal water system);  
+ 60°C - trichloroethylene, butane, methane, propane, carbon dioxide;  
+ 40°C - inflammable alcohol, gasoline, illuminating gas, natural gas, limewater, soda water.

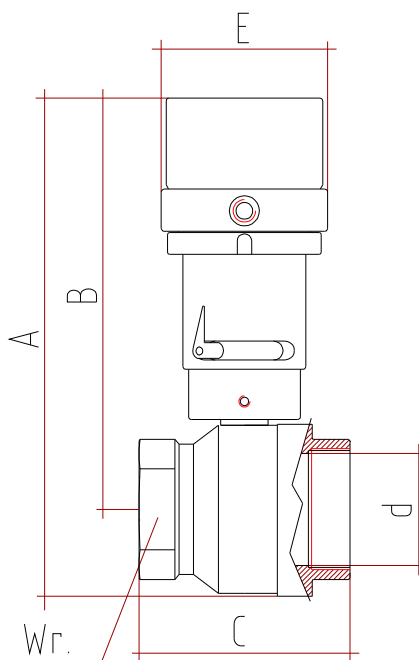
**ACTUATOR PILOT PRESSURE**

From 3 to 8 bar.  
Connections with inner GAS ISO 228 thread female-female.  
On request with inner NPT connections.  
Control air 1/8" GAS connections.

**VERSIONS AND SIZES**

DA: 3" - 4"

**ANODIZING TREATMENT ON OUTSIDE DETAILS  
MADE IN ALUMINIUM**



**OVERALL DIMENSIONS**

DOUBLE ACTING

| DN  | G  | ACTUATOR | A   | B   | C   | d   | E   | Wrench | Kv                | Weight |
|-----|----|----------|-----|-----|-----|-----|-----|--------|-------------------|--------|
| mm. |    | type     | mm. | mm. | mm. | mm. | mm. | mm.    | m <sup>3</sup> /h | gr.    |
| 80  | 3" | DE1004   | 355 | 293 | 151 | 75  | 120 | 94     | 770               | 6900   |
| 100 | 4" | DE1155   | 433 | 358 | 180 | 90  | 134 | 120    | 1200              | 11400  |