

Art. "VF" - BUTTERFLY VALVE IN ALUMINIUM



DESCRIPTION

Butterfly valve suitable for intercepting granulates, powders, cereals and to reduce the outlet of smokes and hot air.

It is **NOT** suitable for intercepting liquids because it has no seal.

MATERIALS:

Valve body: aluminium
 Butterfly: aluminium
 Disc pins: brass OT 58
 O-ring pins: NBR

ACTUATOR PILOT PRESSURE

Double acting versions: from 3 to 8 bar.

Single acting versions: from 5 to 8 bar

CONNECTIONS

Flange connections. Between valve body and flanges, it is necessary to place an appropriate gasket, which is not supplied with the valve.

The flanges are **NOT** according to any standards.

Control air 1/8" GAS connections

VERSIONS AND SIZES

DA: DN 80 - 100 - 150 - 200 - 250

SANC: DN 80 - 100 - 150 - 200 - 250

SANO: DN 80 - 100 - 150 - 200 - 250

ANODIZING TREATMENT ON OUTSIDE DETAILS

MADE IN ALUMINIUM

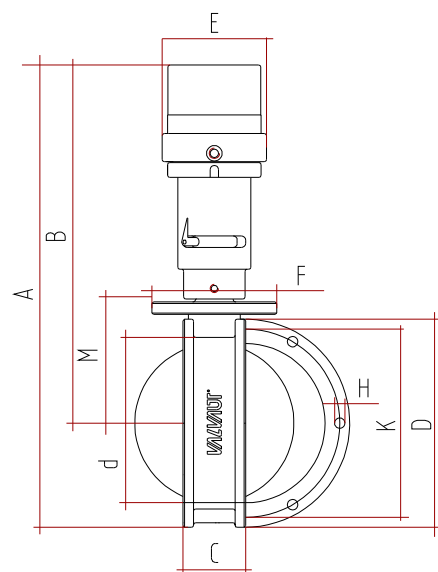
OVERALL DIMENSIONS

DOUBLE ACTING

DN	ACTUATOR	A	B	C	D	d	E	F	H	K	M	Hole	Weight
mm.	type	mm.	mm.	mm.	mm.	mm.	mm.	mm.	mm.	mm.	mm.	n°	gr.
80	DE5002	318	253	50	130	80	65	80	9	105	76	4	1900
100	DE5002	341	266	50	150	103	65	80	9	129	88	4	2000
150	DE8003	436	336	60	200	153	100	80	9	181	117	6	4300
200	DE8003	523	383	70	280	200	100	119	9	251	158	6	6500
250	DE8003	574	409	80	330	251	100	119	10.5	306	183	8	8400

SINGLE ACTING

DN	ACTUATOR	A	B	C	D	d	E	F	H	K	M	Hole	Weight
mm.	type	mm.	mm.	mm.	mm.	mm.	mm.	mm.	mm.	mm.	mm.	n°	gr.
80	SE5002	318	253	50	130	80	65	80	9	105	76	4	2100
100	SE5002	341	266	50	150	103	65	80	9	129	88	4	2200
150	SE8003	436	336	60	200	153	100	80	9	181	117	6	4500
200	SE8003	523	383	70	280	200	100	119	9	251	158	6	6700
250	SE8003	574	409	80	330	251	100	119	10.5	306	183	8	8800



ATTENTION !!

Available also in the manual version

Art. "VFM" with lever.

Sizes DN 80, 100, 150, 200, 250.



VALVE WITH ACTUATOR FOR THE DOSING



DESCRIPTION

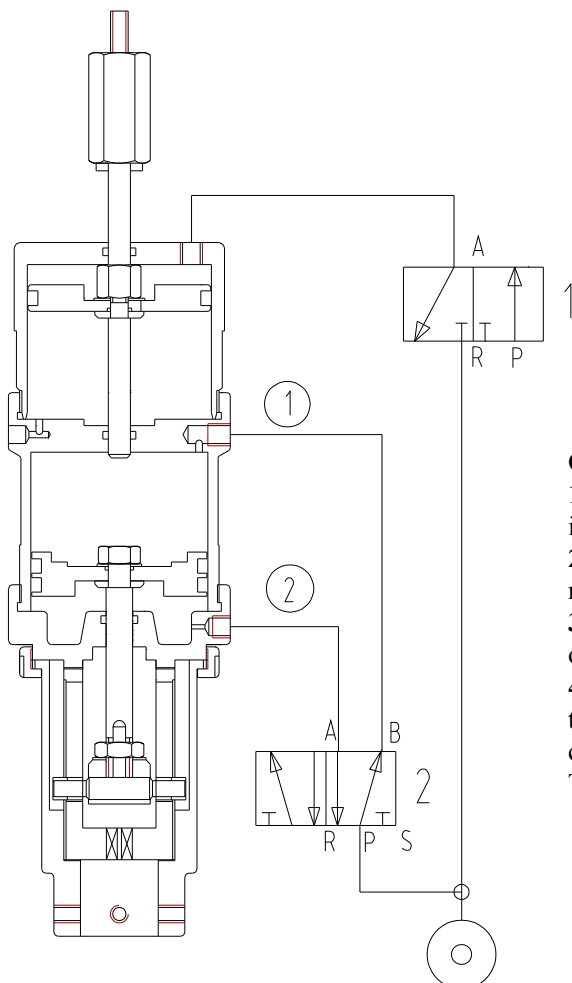
This actuator has been purposely conceived to obtain a partial and adjustable closing of the valve before its complete closing, or a partial opening of the valve before its complete opening.

The adjustment is obtained by means of the upper knob and allows very exact and repetitive cycles.

APPLICATIONS

With normally open (NO) valves it can be used in automatic equipments for filling sacks or packages.

With normally closed (NC) valves it can be used in distribution systems of compressed air.



OPERATION

1) VALVE 1 ON - The upper piston goes down and positions itself according to the upper knob's adjustment.

2) VALVE 2 ON - Feeding in (1), the lower piston goes up to meet the upper stem and the valve partially closes.

3) VALVE 1 OFF - Taking air off the upper piston, the lower one goes up and the valve completes the closing.

4) VALVE 2 OFF - Exchanging the feeding from position (1) to position (2), the lower piston goes down and the valve completely opens, coming back to the initial position.

The cycle can be repeated.