

Art. "A" - GATE VALVE



DESCRIPTION

Metal sealing with free disks (male/female disk) in the wedge of the gate.
Practically no maintenance is required for the special closing system (metal to metal), but a perfect airtight is not assured.

Pneumatic actuator, with reciprocating movement, is equipped with manual emergency knob.

The pneumatic gate valve can intercept liquid fluids and gases without solid suspensions (keep into account the closing system).

Standard: Connections with inner GAS ISO 228 female-female.

On request: NPT connections.

Control air 1/8" GAS connections.

OPERATING TEMPERATURE: from -20°C to +80°C.

ACTUATOR PILOT PRESSURE: Max 8 bar.

VERSIONS AND SIZES

GAS threaded connection

DA: 3/4" - 1" - 1"1/4 - 1"1/2 - 2" - 2"1/2 - 3" - 4"

SANC: 3/4" - 1" - 1"1/4 - 1"1/2 - 2" - 2"1/2 - 3"

SANO: 3/4" - 1" - 1"1/4 - 1"1/2 - 2"

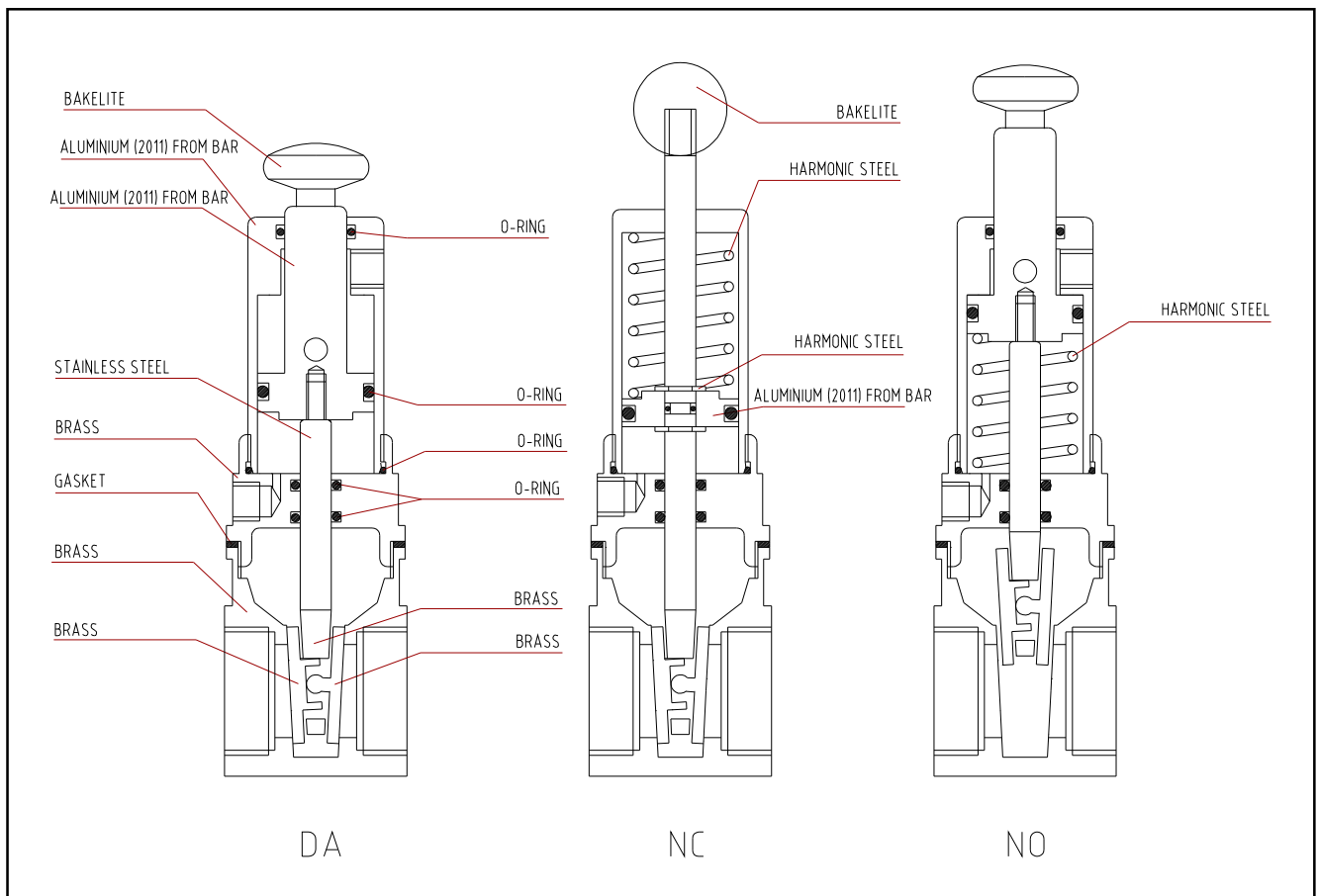
NPT connection

DA: 3/4" - 1" - 1"1/4 - 1"1/2 - 2" - 3"

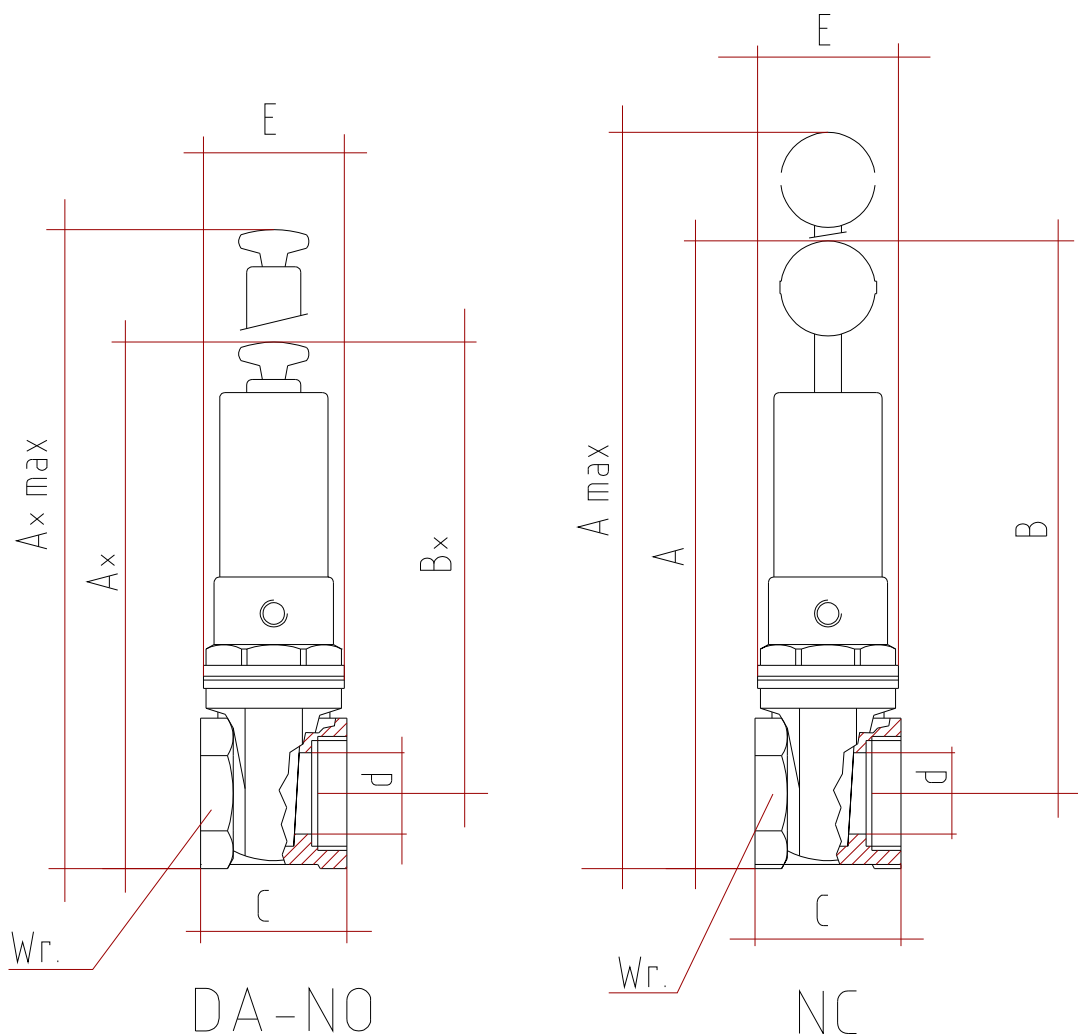
SANC: 3/4" - 1" - 1"1/4 - 1"1/2 - 2" - 3"

SANO: 3/4" - 1" - 1"1/4 - 1"1/2 - 2"

ANODIZING TREATMENT ON OUTSIDE DETAILS MADE IN ALUMINIUM



Art. "A"



OVERALL DIMENSIONS

The dimensions with asterisk refer to DA and NO version

DN	G	A	A*	A max.	A*max	B	B*	C	d	E	Wrench	KV	Weight
mm		mm	mm	mm	mm	mm	mm	mm	mm	mm	mm	m3/h	gr
20	3/4"	177	163	191	177	158	138	48	19	40	34	36	540
25	1"	189	177	204	191	166	148	54	24	45	40	66	660
32	1"1/4	239	213	265	239	211	184	60	35	52	50	126	1200
40	1"1/2	243	228	268	253	211	197	64	37	57	56	180	1250
50	2"	294	280	335	316	255	241	72	47	70	69	234	1950
65	2"1/2	329	311	371	353	282	264	80	59	84	85	360	2550
80	3"	393	361	448	416	337	306	85	70	99	101	603	3850
100	4"		417		503		347	97	94	124	127	1200	6600