

Art. "B" - SHUTTER GLOBE VALVE

DESCRIPTION

Valve with shutter closing.
 Standard seals in NBR, in FPM or in EPDM.
 On request: shutter closing with PTFE.
 Perfect airtight.
 Connections with inner GAS ISO 228 thread female-female.
 On request: NPT connections.
 Control air 1/8" GAS connections.

ALLOWABLE TEMPERATURES

Operating temperature:
 Seal in NBR/NBR : from -20°C to +100°C
 Seal in FPM/FPM : from -15°C to +100°C
 Seal in EPDM/EPDM: from -40°C to +100°C
 Seal in PTFE/FPM: from -20°C to +100°C
 Seal in PTFE/EPDM: from -40°C to +100°C

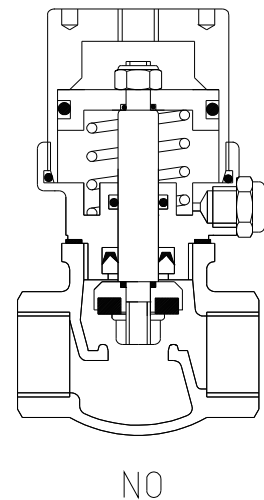
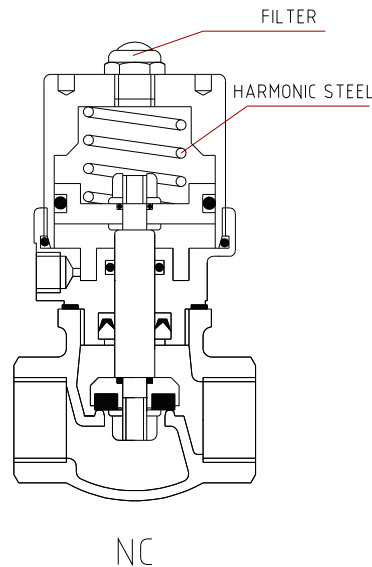
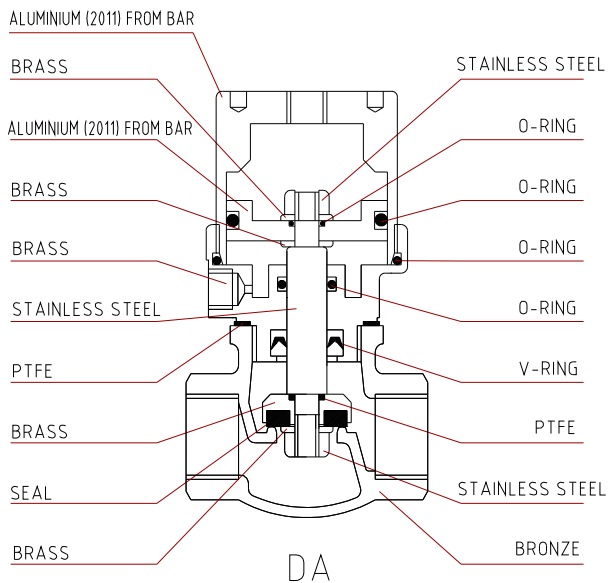
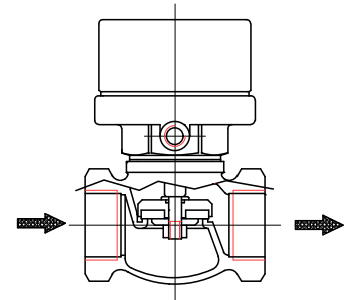
ACTUATOR PILOT PRESSURE: Max. 8 bar.

VERSIONS AND SIZES

DA: 1/2" - 3/4" - 1" - 1"1/4 - 1"1/2 - 2"
 SANC: 1/2" - 3/4" - 1" - 1"1/4 - 1"1/2 - 2"
 SANO: 1/2" - 3/4" - 1" - 1"1/4 - 1"1/2 - 2"

**ANODIZING TREATMENT ON OUTSIDE DETAILS
 MADE IN ALUMINIUM**

It is **not subject** to the "Water Hammer" if the fluid pass through the valve in the direction of the arrow printed on the body (under the shutter).
 With these conditions the tightness is guaranteed up to the pressures shown in the Differential Pressure Chart.



Art. "B"

DIFFERENTIAL PRESSURE CHART

NC : NBR-FPM-EPDM

NC : PTFE

DA/NO : NBR-FPM-EPDM

DA/NO : PTFE

G	DeltaP bar
1/2"	8
3/4"	7
1"	7
1"1/4	5.5
1"1/2	8
2"	5

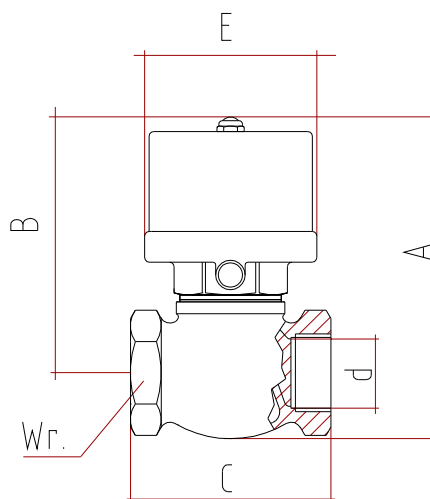
G	DeltaP bar
1/2"	8
3/4"	5
1"	6
1"1/4	4.5
1"1/2	6
2"	3.5

G	PILOT PRESS.	DeltaP bar
1/2"	4	15
1/2"	5	19
3/4"	4	10
3/4"	5	13
1"	4	18
1"	5	23
1"1/4	4	11
1"1/4	5	14
1"1/2	4	11
1"1/2	5	13
2"	4	7
2"	5	9

G	PILOT PRESS.	DeltaP bar
1/2"	4	15
1/2"	5	19
3/4"	4	8
3/4"	5	11
1"	4	15
1"	5	20
1"1/4	4	9
1"1/4	5	12
1"1/2	4	10
1"1/2	5	12
2"	4	6
2"	5	8

MINIMUM PRESSURE REQUIRED TO OPEN NC VERSION

G	1/2"	3/4"	1"	1"1/4	1"1/2	2"
Bar	4.5	4.5	3.5	3.5	4	4



OVERALL DIMENSIONS

DN	G	A	B	C	d	E	Wrench	Kv	Weight
mm.		mm.	mm.	mm.	mm.	mm.	mm.	m3/h	gr.
15	1/2"	106	86	60	17	50	27	3.4	590
20	3/4"	110	85	74	24	50	35	7.9	700
25	1"	128	98	85	30	76	46	11	1400
32	1"1/4	138	106	95	39	76	52	18	1650
40	1"1/2	166	130	110	45	89	60	28	2600
50	2"	184	139	120	55	89	72	44	3400