

Art. "BHP" - SHUTTER GLOBE VALVE FOR HIGH PRESSURE



DESCRIPTION

Valve with flat shutter closing.
 Seal : PTFE/NBR and PTFE/FPM.
 The closing is carried out through the piston stem, at whose end the seal is directly applied.
 Perfect airtight .
 Reduced overall dimensions.
 The very simple construction allows high operating frequencies, high differential pressures (see chart).

ALLOWABLE TEMPERATURES

Operating temperature: from -20°C to +100°C

PILOT PRESSURE: Max. 8 bar.

VERSIONS AND SIZES

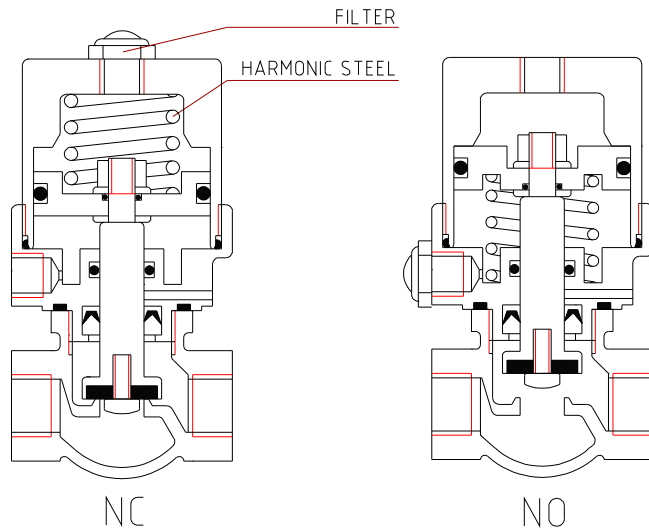
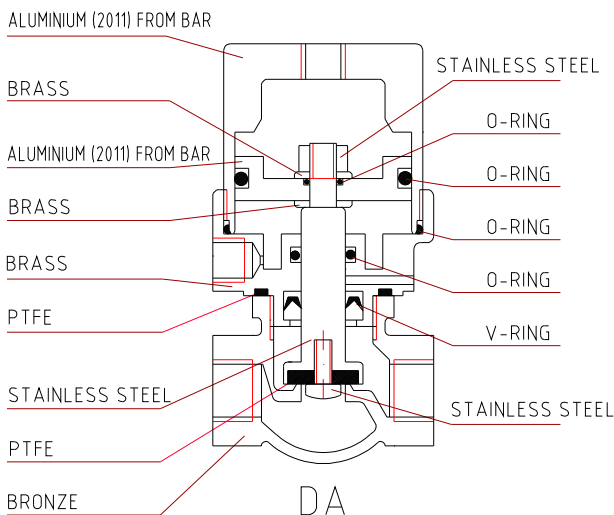
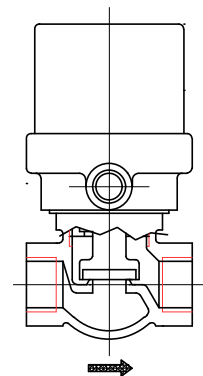
DA: 1/4" - 3/8"

SANC: 1/4" - 3/8"

SANO: 1/4" - 3/8"

ANODIZING TREATMENT ON OUTSIDE DETAILS MADE IN ALUMINIUM

It is **not subject** to the "Water Hammer" if the fluid pass through the valve in the direction of the arrow printed on the body (under the actuator).
 With these conditions the tightness is guaranteed up to the pressures shown in the Differential Pressure Chart.



Art. "BHP"

DIFFERENTIAL PRESSURE CHART

NC VERSION

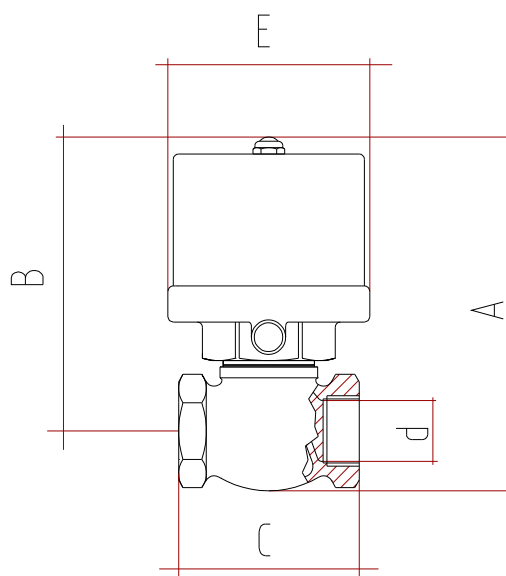
G	DeltaP bar
1/4"	21
3/8"	21

DA-NO VERSION

G	PILOT PRESS.	DeltaP bar
1/4"	2	15
"	3	25
"	4	32
3/8"	2	15
"	3	25
"	4	32

MINIMUM PRESSURE REQUIRED TO OPEN NC VERSION

G	1/4"	3/8"
Bar	5	5



OVERALL DIMENSION

DN	G	A	B	C	d	E	Weight gr
6	1/4"	101	83	50	10	50	560
10	3/8"	101	83	50	10	50	560